

WWW.ISOTUBI.COM  
SEPTEMBER 2018\*

# ISO TUBI

TUBOS Y ACCESORIOS  
DE ACERO INOXIDABLE



PRODUCT CATALOGUE  
STAINLESS STEEL TUBES AND FITTINGS

WWW.ISOTUBI.COM

\*Please refer to our website for the latest edition

INTRODUCTION	4
MAIN PRESSFITTING TOOLS	5
FIG.1 COUPLING	6
FIG.2 SLIP COUPLING	6
FIG.3 90° F-F ELBOW	6
FIG.4 90° M-F ELBOW	7
FIG.5 45° F-F ELBOW	7
FIG.6 45° M-F ELBOW	7
FIG.7 FEMALE ANGLE ADAPTOR	8
FIG.8 MALE ANGLE ADAPTOR	8
FIG.9 F ELBOW WITH WALLNUT	8
FIG.10 90° ELBOW WITH PLANE ENDS	9
FIG.11 VALVE CONECT. WITH SWIVEL IN STAINLESS	9
FIG.12 F TEE THREADED ADAPTOR	10
FIG.14 MF REDUCER	10
FIG.15 REDUCING TEE	11
FIG.16 EQUAL TEE	12
FIG.17 FEMALE ADAPTOR	12
FIG.18 MALE ADAPTOR	13
FIG.19 FLANGES ADAPTOR	13
FIG.20 PRE-FORMED PIPE BRIDGE	14
FIG.21 PLUG	14
FIG.22 AIR TUBE PIPE BRIDGE	14
FIG.23 PIPE BRIDGE	15
FIG.24 3 PCS ADAPTOR	15
FIG.25 FF PIPE BRIDGE	15
FIG.26 FEMALE CONNECTOR	16
FIG.27 MALE CONNECTOR	16
FIG.28 PRESS FLANGED ADAPTOR	16
FIG.29 FLEXIBLE TUBES	17
FIG.30 EQUAL OR REDUCED CROSS	17
FIG.31 3 PCS SS BALL VALVE PRESS X PRESS	17
FIG.32 2 PCS SS BALL VALVE FULL PORT	18
FIG.33 45° MALE ANGLE ADAPTOR	18
FIG.34 90° FEMALE ANGLE ADAPTOR	18
FIG.35 90° F ANGLE ADAPTOR WITH SWIVEL NUT	19



FIG.36 MALE TEE THREADED ADAPTOR	19
FIG.37 MALE THREADED CROSS	19
FIG.38 FEMALE THREADED CROSS	20
FIG.39 90° MALE ANGLE ADAPTOR	20
FIG.41 MALE UNION CONNECTOR GAS	20
FIG.42 FEMALE UNION CONNECTOR GAS	21
FIG.45 UNION GAS FEMALE THREADED	21
FIG.46 STRAIGHT UNION WITH PRESSFITTING ON BOTH ENDS	21
FIG 47 HALF COUPLING	22
FIG 48 30° FEMALE-FEMALE F ELBOW	22
FIG 49 30° ELBOW WITH PLAIN ENDS	22
FIG 50 15° FEMALE-FEMALE ELBOW	23
FIG 51 60° FEMALE-FEMALE ELBOW	23
FIG 52 FLANGES ADAPTOR PN6	23
FIG 53 PIPE PENETRATION	24
FIG 54 MALE PLUG	24
FIG 55 WELD ADAPTOR	24
FIG 56 75° FEMALE-FEMALE ELBOW	25
FIG 57 10° FEMALE-FEMALE ELBOW	25
FIG 58 60° ELBOW WITH PLAIN ENDS	25
FIG 59 15° ELBOW WITH PLAIN ENDS	26
FIG 61 TRANSITION FOR GROOVED COUPLING	26
FIG 63 75° ELBOW WITH PLAIN ENDS	26
FIG 64 15° MALE-FEMALE ELBOW	27
FIG 65 M-F PIPE PENETRATION	27
FIG 66 30° MALE-FEMALE ELBOW	27
FIG 71 ELONGATION COMPENSATOR	28
FIG 72 45° ELBOW PLAIN ENDS	28
FIG 73 10° ELBOW PLAIN ENDS	28
FIG 76 F DOUBLE ELBOW WITH WALLNUT	29
O-RINGS	29
WELDED TUBES	30
GENERAL SALES TERMS	31

Isotubi, S.L., is part of **Grupo Lapuente**, has been working in the stainless steel world for more than 25 years. As a result of this experience our company is able to offer a competitive product which meets the most important quality requirements in the international markets.

Our main challenges are to know about the concrete needs of our customers, to adapt our products and processes to the new technologies and to make a constant effort in improving our customer service.

Both our production and quality control processes are certified by Tüv according to the ISO 9001 norm. We also hold the main European Approvals for our products and processes: AD Merkblatt (Germany), 97/23/CE Pressure Equipments Directive, CERTIF (Portugal), DVGW (Germany), Numepress TÜV product certificate (Spain and Portugal), LLOYDS, WATERMARK, SITAC, CSIRO, NSF, FM, WRAS, STO, ABS and DNV Approval for ships.

## NUMEPRESS SYSTEM

We are presenting in this catalogue our range of **NUMEPRESS** products, the stainless steel tube and Pressfitting system which allows making facilities in a very easy way, without using welding or threads, saving a considerable amount of time and money.

Our factory and warehouse, located in Barcelona, has an important stock at our customer's disposal, so delivery terms are extremely short. As we are manufacturers, we can also offer specialized products to our customers when needed.

These are the main applications of our system: **compressed air, heating facilities, sanitation facilities, fire-extinguishing system (sprinkler), solar energy, plumbing, industrial facilities, shipping facilities** and **mining**.



# MAIN PRESSFITTINGS TOOLS



The pressfitting tool can be manual, battery or electrically-powered. There is a corresponding easily exchangeable jaw for each diameter which is placed in the tool cylinder.

Most of the machines that exist in the market allow pressing **NUMEPRESS** fittings properly from diameter 15 mm to diameter 54 mm. Each diameter needs its own jaw or collar. There is one machine that presses from 15 mm to 54 mm and another one that presses from 76.1 mm to 168.3 mm (ask for bigger dimensions).

M profile jaws or collars should always be used. In case of doubt, please ask our technical department.



Technical data	UAP4L	MAP2L19	UAP100L	ECO 301	ACO 401
Power supply	18 V / 3 Ah	1.5 Ah / 3 Ah	18 V / 3 Ah	220–240 V / 50 Hz	18 V / 3 Ah
Power	-	-	-	560 W	400 W
Dimensions (L x W x H)	512 x 81 x 317 mm	370 x 75 x 116 mm	567 x 81 x 359 mm	420 x 85 x 110 mm	660 x 100 x 250 mm
Weight	4.3 Kg	3.1 Kg	12.7 Kg	5 Kg	13 Kg
Piston force	32 kN	19 kN	120 kN	45 kN	100 kN



## STAINLESS STEEL TUBES AND FITTINGS

FIG.1



MAT: AISI 316L

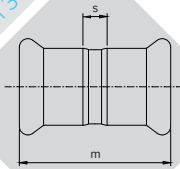


FIG.2



MAT: AISI 316L

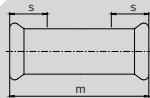
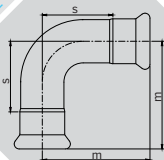


FIG.3



MAT: AISI 316L



### COUPLING

Dimensions	m	s	N° pieces/Bag
10	31.5	7	20
<b>NSF</b> 12	42	6	20
<b>NSF</b> 15	49	8	20
<b>NSF</b> 18	50	8	20
<b>NSF</b> 22	50.5	8	20
◀ <b>FM</b> ▶ <b>NSF</b> 28	55	8	20
◀ <b>FM</b> ▶ <b>NSF</b> 35	70	18	10
◀ <b>FM</b> ▶ <b>NSF</b> 42	78	18	4
◀ <b>FM</b> ▶ <b>NSF</b> 54	85.5	18	4
◀ <b>FM</b> ▶ <b>NSF</b> 76.1	140.5	33	1
◀ <b>FM</b> ▶ <b>NSF</b> 88.9	160	45	1
◀ <b>FM</b> ▶ <b>NSF</b> 108	197	58	1
<b>NSF</b> 114.3	193	51	1
<b>NSF</b> 139.7	250	54	1
<b>NSF</b> 168.3	300	64	1

### SLIP COUPLING

**NSF**

Dimensions	m	s	N° pieces/Bag
12	56.5	16	20
15	80	27.5	20
18	80	27.5	20
22	71	19.5	20
◀ <b>FM</b> ▶ 28	84	22	20
◀ <b>FM</b> ▶ 35	99	26	10
◀ <b>FM</b> ▶ 42	114	30	4
◀ <b>FM</b> ▶ 54	136	34	4
◀ <b>FM</b> ▶ 76.1	226	54	1
◀ <b>FM</b> ▶ 88.9	255	58	1
◀ <b>FM</b> ▶ 108	300	71.5	1

### 90° F-F ELBOW

Dimensions	m	s	N° pieces/Bag
10	28.5	16	20
<b>NSF</b> 12	43	27	20
<b>NSF</b> 15	48	28	20
<b>NSF</b> 18	52	32	20
<b>NSF</b> 22	61	40	20
◀ <b>FM</b> ▶ <b>NSF</b> 28	71.5	49	10
◀ <b>FM</b> ▶ <b>NSF</b> 35	74	48	10
◀ <b>FM</b> ▶ <b>NSF</b> 42	86	56	4
◀ <b>FM</b> ▶ <b>NSF</b> 54	105.5	71.5	2
◀ <b>FM</b> ▶ <b>NSF</b> 76.1	177	123.5	1
◀ <b>FM</b> ▶ <b>NSF</b> 88.9	181	123	1
◀ <b>FM</b> ▶ <b>NSF</b> 108	214	140	1
<b>NSF</b> 114.3	250	179	1
<b>NSF</b> 139.7	314	216	1
<b>NSF</b> 168.3	386	268	1

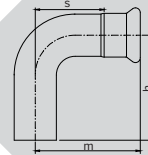


## 90° M-F ELBOW

	Dimensions	m	h	s	N° pieces/Bag
	10	28.5	36	16	20
	<b>NSF</b> 12	43	50	27	20
	<b>NSF</b> 15	48	67	28	20
	<b>NSF</b> 18	52	65	32	20
	<b>NSF</b> 22	61	74	40	20
◀ <b>FM</b> ▶	<b>NSF</b> 28	71.5	82	49	10
◀ <b>FM</b> ▶	<b>NSF</b> 35	74	85	48	10
◀ <b>FM</b> ▶	<b>NSF</b> 42	86	96.5	56	4
◀ <b>FM</b> ▶	<b>NSF</b> 54	105	122	71.5	2
◀ <b>FM</b> ▶	<b>NSF</b> 76.1	177	195	123.5	1
◀ <b>FM</b> ▶	<b>NSF</b> 88.9	181	202	123	1
◀ <b>FM</b> ▶	<b>NSF</b> 108	214	240	140	1
	<b>NSF</b> 114.3	250	253	179	1
	<b>NSF</b> 139.7	314	322	216	1
	<b>NSF</b> 168.3	386	404	268	1

FIG.4

MAT: AISI 316L



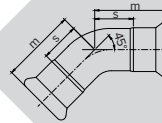
**NSF**

## 45° F-F ELBOW

	Dimensions	m	s	N° pieces/Bag
	12	32	16	20
	15	34.5	14.5	20
	18	36	16	20
	22	41	20	20
◀ <b>FM</b> ▶	28	46	24	10
◀ <b>FM</b> ▶	35	54.5	28.5	10
◀ <b>FM</b> ▶	42	67.5	37.5	4
◀ <b>FM</b> ▶	54	66.5	33	2
◀ <b>FM</b> ▶	76.1	111	57.5	1
◀ <b>FM</b> ▶	88.9	114	56	1
◀ <b>FM</b> ▶	108	138	64	1
	114.3	161	89	1
	139.7	203	105	1
	168.3	252	134	1

FIG.5

MAT: AISI 316L



**NSF**

## 45° M-F ELBOW

	Dimensions	m	h	s	N° pieces/Bag
	12	32	45	16	20
	15	34.5	47	14.5	20
	18	36	48.5	16	20
	22	40	52	20	20
◀ <b>FM</b> ▶	28	46	58	24	10
◀ <b>FM</b> ▶	35	54.5	69	28.5	10
◀ <b>FM</b> ▶	42	67.5	77.5	37.5	4
◀ <b>FM</b> ▶	54	66.5	84	33	2
◀ <b>FM</b> ▶	76.1	111	128	57.5	1
◀ <b>FM</b> ▶	88.9	114	135	56	1
◀ <b>FM</b> ▶	108	138	169	64	1
	114.3	161	164	89	1
	139.7	203	210	105	1
	168.3	252	253	134	1

FIG.6

MAT: AISI 316L

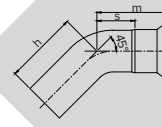
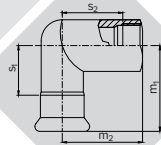


FIG.7



MAT: AISI 316L



**FEMALE ANGLE ADAPTOR**

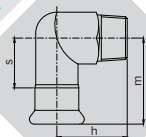
NSF

Dimensions	m <sub>1</sub>	m <sub>2</sub>	s <sub>1</sub>	s <sub>2</sub>	N° pieces/Bag
12-Rp 1/2"	55	37	37	24	20
15-Rp 1/2"	57	37	37	24	20
18-Rp 1/2"	57	39	37	26	20
18-Rp 3/4"	59	46	39	31	10
22-Rp 3/4"	59	46	39	31	10
◀ FM ▶ 28-Rp 1"	67	54	44	37	10
◀ FM ▶ 35-Rp 1 1/4"	75	63	49	44	10

FIG.8



MAT: AISI 316L



**MALE ANGLE ADAPTOR**

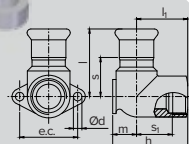
NSF

Dimensions	m	h	s	N° pieces/Bag
12-R 1/2"	55	37	37	20
15-R 1/2"	57	37	37	20
18-R 1/2"	57	39	37	20
18-R 3/4"	59	46	39	10
22-R 3/4"	59	46	39	10
◀ FM ▶ 28-R 1"	67	54	44	10
◀ FM ▶ 35-R 1 1/4"	75	63	49	10
◀ FM ▶ 42-R 1 1/2"	84	67	54	2
◀ FM ▶ 54-R 2"	93	78	60	2

FIG.9



MAT: AISI 316L



**F ELBOW WITH WALLNUT**

NSF

Dimensions	m	h	l <sub>1</sub>	l	Ød	e.c.	s	s <sub>1</sub>	N° pieces/Bag
NW-12-Rp 1/2"	14	44	30	48	5	34	28	17	20
NW-15-Rp 1/2"	14	44	30	50	5	34	28	17	20
NW-18-Rp 1/2"	14	44	30	50	5	34	30	17	20
NW-22-Rp 3/4"	18	51	34	54	6	40	33	20	20





NSF

### 90° ELBOW WITH PLANE ENDS

Dimensions	$h_1$	$h_{1min.}$	$h_2$	$h_{2min.}$	N° pieces/Bag
12	60	50	70	60	20
15	70	58	120	58	20
18	70	63	120	63	20
22	70	70	120	70	10
◀ FM ▶ 28	80	80	120	80	10
◀ FM ▶ 35	120	100	200	100	4
◀ FM ▶ 42	150	120	250	120	2
◀ FM ▶ 54	200	145	300	145	2
76.1	195	-	195	-	1
88.9	202	-	202	-	1
108	240	-	240	-	1

FIG.10



NSF

### VALVE CONECT. WITH SWIVEL IN STAINLESS

Dimensions	m	s	N° pieces/Bag
15-Rp 1/2"	63.5	37.5	10
18-Rp 1/2"	62	37	10
18-Rp 3/4"	61	38	10
22-Rp 3/4"	62	39.5	10
◀ FM ▶ 28-Rp 1"	69.5	43.5	10
◀ FM ▶ 35-Rp 1 1/4"	76	42	4
◀ FM ▶ 42-Rp 1 1/2"	82.5	46	4
◀ FM ▶ 54-Rp 2"	88	50	4
◀ FM ▶ 54-Rp 2 1/2"	105	52.5	1
◀ FM ▶ 76.1-Rp 2 1/2"	185.5	113	1

FIG.11

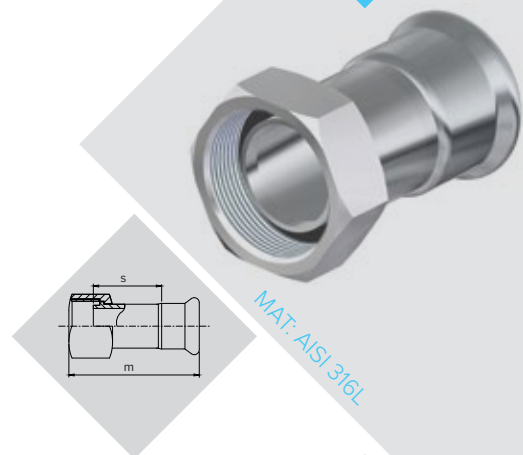
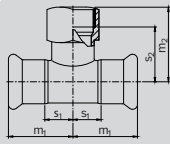


FIG.12



MAT: AISI 316L



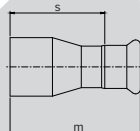
F TEE THREADED ADAPTOR

Dimensions	m <sub>1</sub>	m <sub>2</sub>	s <sub>1</sub>	s <sub>2</sub>	N° piezas/Bag
10-Rp 3/8"-10	29	28	18	19	20
<b>NSF</b> 12-Rp 3/8"-12	28.3	27	12.3	18	20
<b>NSF</b> 15-Rp 1/2"-15	32	36	12	23	20
<b>NSF</b> 18-Rp 1/2"-18	34	37	14	24	20
<b>NSF</b> 18-Rp 3/4"-18	34	41	14	26	20
<b>NSF</b> 22-Rp 1/2"-22	35.5	39	16	26	20
<b>NSF</b> 22-Rp 3/4"-22	35.5	44	16	29	20
<b>FM</b> <b>NSF</b> 28-Rp 1/2"-28	41	42	19	29	10
<b>FM</b> <b>NSF</b> 28-Rp 3/4"-28	41	46	19	31	10
<b>FM</b> <b>NSF</b> 28-Rp 1"-28	41	47	19	30	10
<b>FM</b> <b>NSF</b> 35-Rp 1/2"-35	50	45	24	32	10
<b>FM</b> <b>NSF</b> 35-Rp 3/4"-35	50	50	24	35	10
<b>FM</b> <b>NSF</b> 35-Rp 1"-35	50	51	24	34	10
<b>FM</b> <b>NSF</b> 35-Rp 1 1/4"-35	50	55	24	36	10
<b>FM</b> <b>NSF</b> 42-Rp 1/2"-42	57	48	27	35	4
<b>FM</b> <b>NSF</b> 42-Rp 3/4"-42	57	52	27	37	4
<b>FM</b> <b>NSF</b> 42-Rp 1"-42	57	53	27	34	4
<b>FM</b> <b>NSF</b> 42-Rp 1 1/2"-42	57	61	27	42	4
<b>FM</b> <b>NSF</b> 54-Rp 1/2"-54	68	55	34	41	2
<b>FM</b> <b>NSF</b> 54-Rp 3/4"-54	68	58	34	43	2
<b>FM</b> <b>NSF</b> 54-Rp 1"-54	68	59	34	41	2
<b>FM</b> <b>NSF</b> 54-Rp 2"-54	68	76	34	47	2
<b>FM</b> <b>NSF</b> 76.1-Rp 3/4"-76.1	113	71	59	56	1
<b>FM</b> <b>NSF</b> 76.1-Rp 2"-76.1	113	91	59	62	1
<b>FM</b> <b>NSF</b> 88.9-Rp 3/4"-88.9	128	78	70	63	1
<b>FM</b> <b>NSF</b> 88.9-Rp 2"-88.9	128	97	70	68	1
<b>FM</b> <b>NSF</b> 108-Rp 3/4"-108	150	87	81	72	1
<b>FM</b> <b>NSF</b> 108-Rp 2"-108	150	107	81	78	1

FIG.14



MAT: AISI 316L



MF REDUCER

NSF

Dim.	m	s	N° piezas/Bag	Dim.	m	s	N° piezas/Bag
15-12	50	34	20	54-35	101	75	4
18-12	55	39	20	54-42	101	71	4
22-12	52	36	20	76.1-22	120	100.5	1
18-15	62	42	20	76.1-28	123	101	1
22-15	64	44	20	76.1-35	126	100	1
22-18	60	40	20	76.1-42	130	100	1
28-15	68	48	20	76.1-54	132	98	1
28-18	66	46	20	88.9-42	159	129	1
28-22	65	45.5	20	88.9-54	162	128	1
35-15	77	57	10	88.9-76.1	179	126	1
35-18	77	57	10	108-54	179	145	1
35-22	81	61.5	10	108-76.1	198	145	1
<b>FM</b> 35-28	74	52	10	108-88.9	206	148	1
42-15	85	65	4	114.3-88.9	282	225	1
42-18	87	67	4	114.3-76.1	272	218	1
42-22	86	66.5	4	139.7-88.9	340	282	1
<b>FM</b> 42-28	82	60	4	139.7-108	307	236	1
<b>FM</b> 42-35	88	62	4	139.7-114.3	357	286	1
54-15	92	72	4	168.3-88.9	379	321	1
54-18	93	73	4	168.3-108	360	289	1
54-22	92	72.5	4	168.3-114.3	394	323	1
<b>FM</b> 54-28	93	71	4	168.3-139.7	422	324	1



NSF

## REDUCING TEE

	Dimensions	m <sub>1</sub>	m <sub>2</sub>	s <sub>1</sub>	s <sub>2</sub>	N° pieces/Bag
	15-12-15	32	35	12	19	20
	18-12-18	34	37	14	21	20
	22-12-22	35.5	42	16	26	20
	18-15-18	34	40	14	20	20
	22-15-22	35.5	42	16	22	20
	22-18-22	35.5	42	16	22	20
	28-15-28	41	45	19	25	10
	28-18-28	41	45	19	25	10
	28-22-28	41	45	19	25	10
	35-15-35	50	48	24	28	10
	35-18-35	50	48	24	28	10
	35-22-35	50	48	24	28	10
◀ FM ▶	35-28-35	50	51	24	28	10
	42-15-42	57	51.5	27	31.5	4
	42-18-42	57	52	27	31	4
	42-22-42	57	51	27	31	4
◀ FM ▶	42-28-42	57	53	27	31	4
◀ FM ▶	42-35-42	57	57	27	31	4
	54-15-54	68	56.5	34	37.5	2
	54-18-54	68	56.5	34	37.5	2
	54-22-54	68	57	34	37.5	2
◀ FM ▶	54-28-54	68	60	34	38	2
◀ FM ▶	54-35-54	68	63	34	37	2
◀ FM ▶	54-42-54	68	67	34	37	2
	76.1-22-76.1	113	68	59	48	1
◀ FM ▶	76.1-28-76.1	113	72	59	49	1
◀ FM ▶	76.1-35-76.1	113	74	59	48	1
◀ FM ▶	76.1-42-76.1	113	76	59	46	1
◀ FM ▶	76.1-54-76.1	113	83	59	46.7	1
	88.9-22-88.9	128	75	72	55	1
◀ FM ▶	88.9-28-88.9	128	79	72	56	1
◀ FM ▶	88.9-35-88.9	128	81	72	55	1
◀ FM ▶	88.9-42-88.9	128	83	72	53	1
◀ FM ▶	88.9-54-88.9	128	90	72	53.7	1
◀ FM ▶	88.9-76.1-88.9	128	115	72	63	1
	108-22-108	150	84	81	64	1
◀ FM ▶	108-28-108	150	88	81	65	1
◀ FM ▶	108-35-108	150	90	81	64	1
◀ FM ▶	108-42-108	150	95	81	65	1
◀ FM ▶	108-54-108	150	99	81	65	1
◀ FM ▶	108-76.1-108	150	126.5	81	73	1
◀ FM ▶	108-88.9-108	150	136	81	74	1
	114.3-76.1-114.3	155	130	83	75	1
	114.3-88.9-114.3	155	140	83	82	1
	139.7-76.1-139.7	197	143	99	88	1
	139.7-88.9-139.7	197	153	99	95	1
	139.7-108-139.7	197	167	99	96	1
	139.7-114.3-139.7	197	170	99	98	1
	168.3-76.1-168.3	257	157	139	103	1
	168.3-88.9-168.3	257	167	139	110	1
	168.3-108-168.3	257	182	139	111	1
	168.3-114.3-168.3	257	184	139	113	1
	168.3-139.7-168.3	257	211	139	113	1

FIG.15

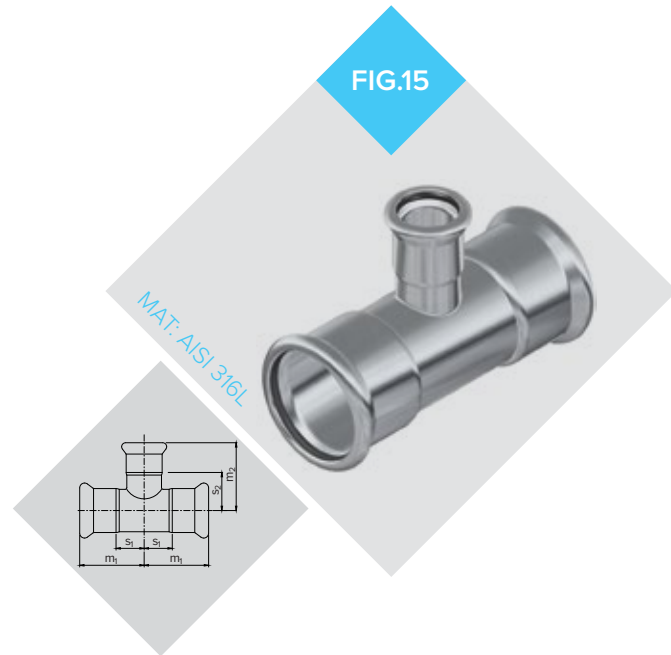
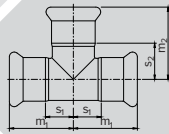


FIG.16



MAT: AISI 316L



EQUAL TEE

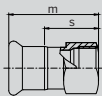
NSF

Dimensions	m <sub>1</sub>	m <sub>2</sub>	s <sub>1</sub>	s <sub>2</sub>	N° piezas/Bag
10	29	27	18	16	20
<b>NSF</b> 12	28.3	24.5	12.3	18.5	20
<b>NSF</b> 15	32	39	12	19	20
<b>NSF</b> 18	34	39	14	19	20
<b>NSF</b> 22	35.5	42	16	21	20
◀ <b>FM</b> ▶ <b>NSF</b> 28	41	47	19	25	10
◀ <b>FM</b> ▶ <b>NSF</b> 35	50	53	24	27	10
◀ <b>FM</b> ▶ <b>NSF</b> 42	57	60	27	30	4
◀ <b>FM</b> ▶ <b>NSF</b> 54	68	71	34	37	2
◀ <b>FM</b> ▶ <b>NSF</b> 76.1	113	110	59	55	1
◀ <b>FM</b> ▶ <b>NSF</b> 88.9	128	128	72	69	1
◀ <b>FM</b> ▶ <b>NSF</b> 108	150	154	81	85	1
<b>NSF</b> 114.3	155	157	83	85	1
<b>NSF</b> 139.7	197	197	99	99	1
<b>NSF</b> 168.3	257	235	139	118	1

FIG.17



MAT: AISI 316L



FEMALE ADAPTOR

NSF

Dimensions	m	s	N° piezas/Bag
10-Rp 3/8"	27	7	20
<b>NSF</b> 12-Rp 1/2"	51.5	22	20
<b>NSF</b> 15-Rp 3/8"	54	34	20
<b>NSF</b> 15-Rp 1/2"	54	34	20
<b>NSF</b> 15-Rp 3/4"	58	38	20
<b>NSF</b> 18-Rp 1/2"	54	34	20
<b>NSF</b> 18-Rp 3/4"	58	38	20
<b>NSF</b> 22-Rp 1/2"	52	32.5	20
<b>NSF</b> 22-Rp 3/4"	58	38	20
<b>NSF</b> 22-Rp 1"	59	39.5	20
◀ <b>FM</b> ▶ <b>NSF</b> 28-Rp 3/4"	60	38	20
◀ <b>FM</b> ▶ <b>NSF</b> 28-Rp 1"	60.5	38.5	20
◀ <b>FM</b> ▶ <b>NSF</b> 28-Rp 1 1/4"	65	43	20
◀ <b>FM</b> ▶ <b>NSF</b> 35-Rp 1"	64	38	10
◀ <b>FM</b> ▶ <b>NSF</b> 35-Rp 1 1/4"	69	43	10
◀ <b>FM</b> ▶ <b>NSF</b> 35-Rp 1 1/2"	73	47	10
◀ <b>FM</b> ▶ <b>NSF</b> 42-Rp 1 1/4"	72	42	4
◀ <b>FM</b> ▶ <b>NSF</b> 42-Rp 1 1/2"	77	47	4
◀ <b>FM</b> ▶ <b>NSF</b> 54-Rp 1 1/2"	81	47	4
◀ <b>FM</b> ▶ <b>NSF</b> 54-Rp 2"	90	56	4
◀ <b>FM</b> ▶ <b>NSF</b> 76.1-Rp 2 1/2"	129	75.5	1
◀ <b>FM</b> ▶ <b>NSF</b> 88.9-Rp 3"	118	60.5	1

## MALE ADAPTOR

	Dimensions	m	s	N° pieces/Bag
	10-R 3/8"	29	18	20
<b>NSF</b>	12-R 1/2"	51	35	20
<b>NSF</b>	15-R 3/8"	48	28	20
<b>NSF</b>	15-R 1/2"	53.5	33.5	20
<b>NSF</b>	15-R 3/4"	57.5	37.5	20
<b>NSF</b>	18-R 1/2"	53.5	33.5	20
<b>NSF</b>	18-R 3/4"	58	38	20
<b>NSF</b>	22-R 1/2"	53	33.5	20
<b>NSF</b>	22-R 3/4"	57	37.5	20
<b>NSF</b>	22-R 1"	60.5	41	20
<b>◀ FM ▶ NSF</b>	28-R 3/4"	60	38	20
<b>◀ FM ▶ NSF</b>	28-R 1"	63	41	20
<b>◀ FM ▶ NSF</b>	28-R 1 1/4"	67	45	20
<b>◀ FM ▶ NSF</b>	35-R 1"	67	41	10
<b>◀ FM ▶ NSF</b>	35-R 1 1/4"	71	45	10
<b>◀ FM ▶ NSF</b>	35-R 1 1/2"	74	48	10
<b>◀ FM ▶ NSF</b>	42-R 1 1/4"	75	45	4
<b>◀ FM ▶ NSF</b>	42-R 1 1/2"	78	48	4
<b>◀ FM ▶ NSF</b>	54-R 1 1/2"	82	48	4
<b>◀ FM ▶ NSF</b>	54-R 2"	84	50	4
<b>◀ FM ▶ NSF</b>	76.1-R 2 1/2"	127.5	74	1
<b>◀ FM ▶ NSF</b>	88.9-R 3"	142	86	1
<b>◀ FM ▶ NSF</b>	108-R 4"	155	73	1

FIG.18

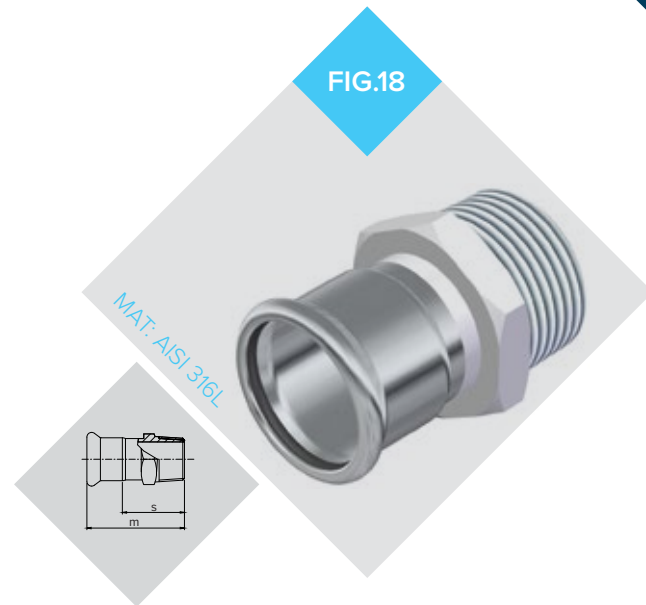


FIG.19



**NSF**

## FLANGES ADAPTOR

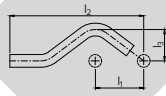
	Dimensions	D	k	b	d <sub>2</sub>	h	n*	z	N° pieces/Bag
	15-DN 15	95	65	14	14	61	4	41	1
	18-DN 15	95	65	14	14	46	4	26	1
	22-DN 20	105	75	16	14	44	4	24	1
<b>◀ FM ▶</b>	28-DN 25	115	85	16	14	52	4	30	1
<b>◀ FM ▶</b>	35-DN 32	140	100	16	18	65	4	39	1
<b>◀ FM ▶</b>	42-DN 40	150	110	16	18	77	4	47	1
<b>◀ FM ▶</b>	54-DN 50	165	125	18	18	68	4	34	1
<b>◀ FM ▶</b>	76.1-DN 65	185	145	18	18	114	4	60	1
<b>◀ FM ▶</b>	88.9-DN 80	200	160	20	18	128	8	70	1
<b>◀ FM ▶</b>	108-DN 100	220	180	20	18	151	8	82	1

n\* = Number of tal. of Ø d<sub>2</sub>

FIG.20



MAT: AISI 316L



PRE-FORMED PIPE BRIDGE

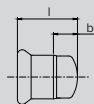
NSF

Dimensions	$l_1$	$l_2$	$l_3$	N° piezas/Bag
12	57	158	37	20
15	57	158	37	20
18	60	165	40	20
22	65	178	44	20
◀ FM ▶ 28	74	210	50	10

FIG.21



MAT: AISI 316L



PLUG

NSF

Dimensions	l	b	N° piezas/Bag
15	36	16	20
18	36	16	10
22	40	20.5	10
◀ FM ▶ 28	42	20	10
◀ FM ▶ 35	51	25	10
◀ FM ▶ 42	54	24	4
◀ FM ▶ 54	59	25	4
◀ FM ▶ 76.1	90	36	1
◀ FM ▶ 88.9	102	45	1
◀ FM ▶ 108	125	56	1

FIG.22



MAT: AISI 316L



AIR TUBE PIPE BRIDGE

NSF

Dimensions	b	h	N° piezas/Bag
15	46	208	10
18	54	218	10
22	68	246	10
28	86	283	10

NSF

### PIPE BRIDGE

Dimensions	N° pieces/Bag
12	20
15	20
18	20
22	20
◀ FM ▶ 28	10

FIG.23

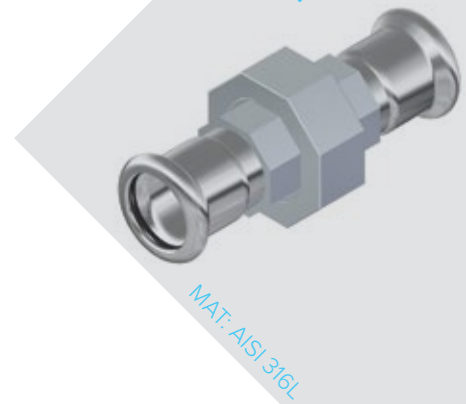


NSF

### 3 PCS ADAPTOR

Dimensions	N° pieces/Bag
15	20
18	10
22	10
28	10
35	10
42	4
54	4

FIG.24



NSF

### FF PIPE BRIDGE

Dimensions	N° pieces/Bag
12	20
15	20
18	20
22	20
◀ FM ▶ 28	10

FIG.25

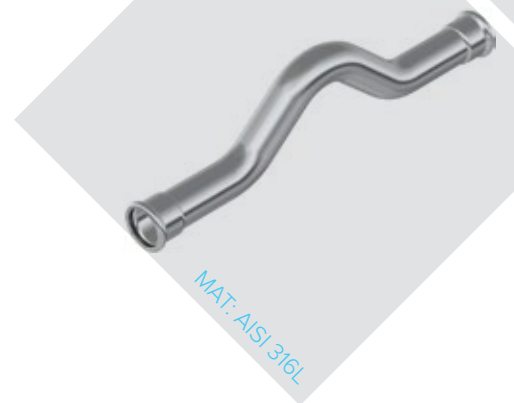
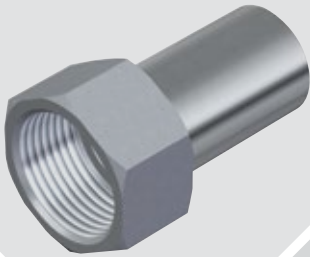


FIG.26



MAT: AISI 316L

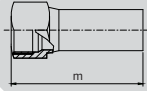


FIG.27



MAT: AISI 316L

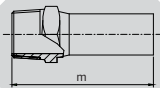
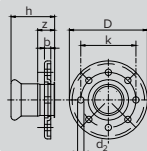


FIG.28



FEMALE CONNECTOR

NSF

Dimensions	m	Nº pieces/Bag
15-1/2"	58	20
18-1/2"	58	20
18-3/4"	62	20
22-1/2"	58	20
22-3/4"	62	20
◀ FM ▶ 28-3/4"	67	20
◀ FM ▶ 28-1"	69	20
◀ FM ▶ 35-1 1/4"	76	10
◀ FM ▶ 42-1 1/2"	83	4
◀ FM ▶ 54-2"	98.5	4

MALE CONNECTOR

NSF

Dimensions	m	Nº pieces/Bag
15-1/2"	60	20
18-1/2"	60	20
18-3/4"	64	20
22-1/2"	60	20
22-3/4"	64	20
◀ FM ▶ 28-3/4"	69	20
◀ FM ▶ 28-1"	71	20
◀ FM ▶ 35-1 1/4"	81	10
◀ FM ▶ 42-1 1/2"	88	4
◀ FM ▶ 54-2"	93	4

PRESS FLANGED ADAPTOR

NSF

Dimensions	D	k	b	d <sub>2</sub>	h	n*	z	Nº pieces/Bag
◀ FM ▶ 54-DN 50	165	125	19	17.5	78	4	44	1
◀ FM ▶ 76.1-DN 65	185	145	20	17.5	112	4	70	1
◀ FM ▶ 88.9-DN 80	200	160	20	17.5	128	8	70	1
◀ FM ▶ 108-DN 100	220	180	20	17.5	161	8	86	1
114.3-DN 100	220	180	20	18	109	8	36	1
139.7-DN 125	250	210	22	18	138	8	41	1
168.3-DN 150	285	240	24	22	171	8	54	1



## FLEXIBLE TUBES

Available dimensions from 15 to 108 mm according to customers' requirements.

- Minimum length 400 mm
- Maximum length 1500 mm

FIG.29



## NSF EQUAL OR REDUCED CROSS

Available dimensions from 15 to 108 mm according to customers' requirements.

FIG.30



## 3 PCS SS BALL VALVE PRESS X PRESS

Dimensions	s	l	w	h	m	N° pieces/Bag
15	20	111	110	63	71	1
18	20	111	110	63	71	1
22	19.5	130	135	68	91	1
28	22	141	135	70	97	1
35	26	159	160	85	107	1
42	30	180	200	90	120	1
54	34	203	210	100	135	1
76.1	54	289	320	145	181	1
88.9	58	340	320	155	224	1
108	69	424	320	170	286	1

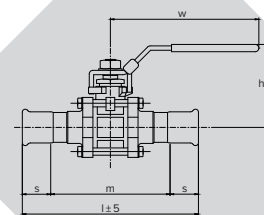
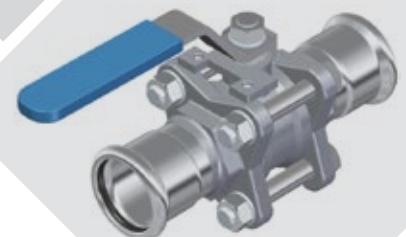
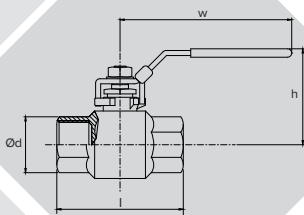


FIG.31



MAT: AISI 316L

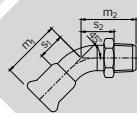
FIG.32



2 PCS SS BALL VALVE FULL PORT

DN	NPS	d	l	h	w
8	1/4"	10	50	50	104
10	3/8"	12	50	50	104
15	1/2"	15	55	51.5	104
20	3/4"	20	70	62	122
25	1"	25	83	65	122
32	1-1/4"	32	91	82	180
40	1-1/2"	38	103	88	205
50	2"	50	120	106	219

FIG.33

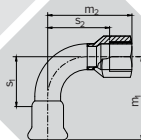


45° MALE ANGLE ADAPTOR

NSF

Dimensions	m <sub>1</sub>	s <sub>1</sub>	m <sub>2</sub>	s <sub>2</sub>	N° pieces/Bag
15-R 1/2"	34.5	14	40	25	20
18-R 1/2"	36	16	41.5	26.5	20
18-R 3/4"	36	16	45.5	28.5	20
22-R 3/4"	41	20	48.5	31.5	20
◀ FM ▶ 28-R 1"	46	24	56	36	10

FIG.34



90° FEMALE ANGLE ADAPTOR

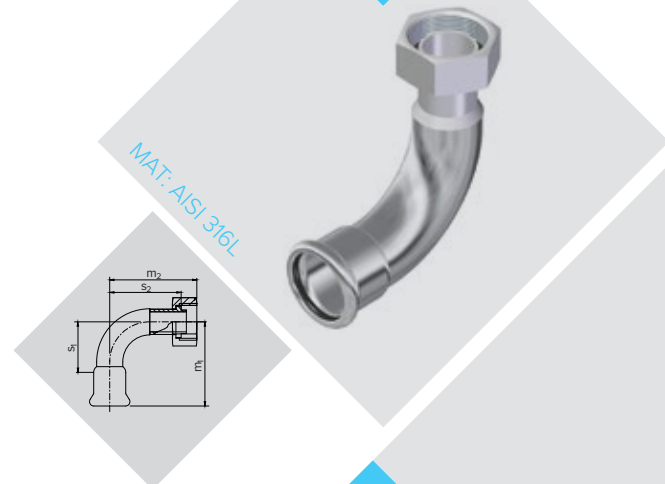
NSF

Dimensions	m <sub>1</sub>	s <sub>1</sub>	m <sub>2</sub>	s <sub>2</sub>	N° pieces/Bag
15-Rp 3/8"	48	28	52	39	20
15-Rp 1/2"	48	28	52	39	20
18-Rp 1/2"	52	32	58	45	20
18-Rp 3/4"	52	32	62	47	20
22-Rp 3/4"	61	40	67	52	20
◀ FM ▶ 28-Rp 1"	71.5	49	78	61	10
◀ FM ▶ 35-Rp 1 1/4"	86	60	94	75	10

**NSF** 90° F ANGLE ADAPTOR WITH SWIVEL NUT

	Dimensions	m <sub>1</sub>	s <sub>1</sub>	m <sub>2</sub>	s <sub>2</sub>	N° pieces/Bag
	15-Rp 1/2"	48	28	48	39	20
	18-Rp 1/2"	52	32	62	53	20
	18-Rp 3/4"	52	32	60	51	20
	22-Rp 3/4"	61	40	70	61	20
◀ FM ▶	28-Rp 1"	71.5	49	83	73	10
◀ FM ▶	35-Rp 1 1/4"	86	60	101	89	10
◀ FM ▶	42-Rp 1 1/2"	112	82	126.5	115	4
◀ FM ▶	54-Rp 2"	105	71.5	119	106.5	4

FIG.35



**NSF** MALE TEE THREADED ADAPTOR

	Dimensions	m <sub>1</sub>	m <sub>2</sub>	s <sub>1</sub>	s <sub>2</sub>	N° pieces/Bag
	15-R 3/8"	32	34.5	12	21.5	20
	15-R 1/2"	32	36	12	21	20
	18-R 1/2"	34	36.5	14	21.5	20
	18-R 3/4"	34	40.5	14	23.5	20
	22-R 3/4"	35.5	43.5	16	26.5	20
◀ FM ▶	28-R 1"	41	49.5	19	29.5	10
◀ FM ▶	35-R 1 1/4"	50	56.5	24	34.5	10

FIG.36

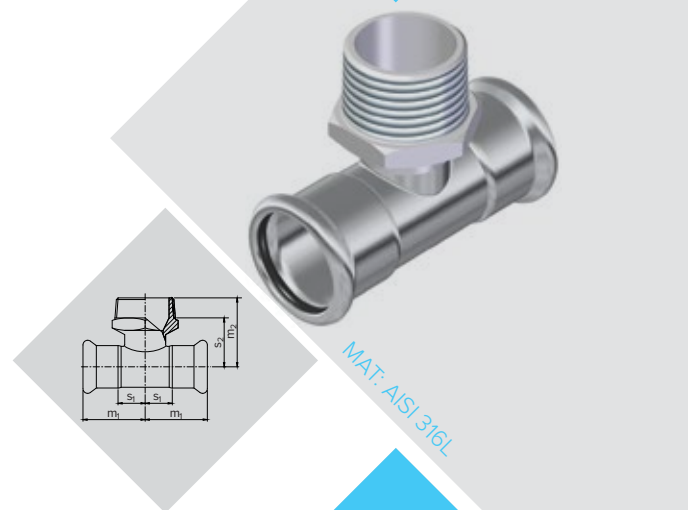


FIG.37

**NSF** MALE THREADED CROSS

Available dimensions from 15 to 108 mm according to customers' requirements.



FIG.38



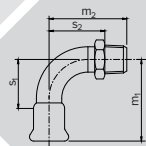
MAT: AISI 316L

FEMALE THREADED CROSS

NSF

Available dimensions from 15 to 108 mm according to customers' requirements.

FIG.39

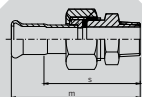


90° MALE ANGLE ADAPTOR

NSF

Dimensions	m <sub>1</sub>	s <sub>1</sub>	m <sub>2</sub>	s <sub>2</sub>	N° pieces/Bag
15-R 3/8"	48	28	49	36	20
15-R 1/2"	48	28	53	38	20
18-R 1/2"	52	32	57	42	20
18-R 3/4"	52	32	61	44	20
22-R 3/4"	61	40	68	51	20
◀ FM ▶ 28-R 1"	71.5	49	81	61	10
◀ FM ▶ 35-R 1 1/4"	86	60	96	74	10
◀ FM ▶ 42-R 1 1/2"	112	82	121	96	4
◀ FM ▶ 54-R 2"	105.2	71.5	112	85	2

FIG.41



MALE UNION CONNECTOR GAS

NSF

Dimensions	m	s	N° pieces/Bag
12-3/8"	72	52	20
15-1/2"	72	52	20
15-3/4"	74.5	54.5	20
18-1/2"	74	54	20
18-3/4"	76.5	56.5	20
22-1"	83.5	64	20
22-3/4"	79	58	20
◀ FM ▶ 28-1"	90.5	68.5	20
◀ FM ▶ 28-1 1/4"	94	72	20
◀ FM ▶ 35-1 1/4"	104.5	78.5	10
◀ FM ▶ 42-1 1/2"	113	83	4
◀ FM ▶ 54-2"	134	100	2

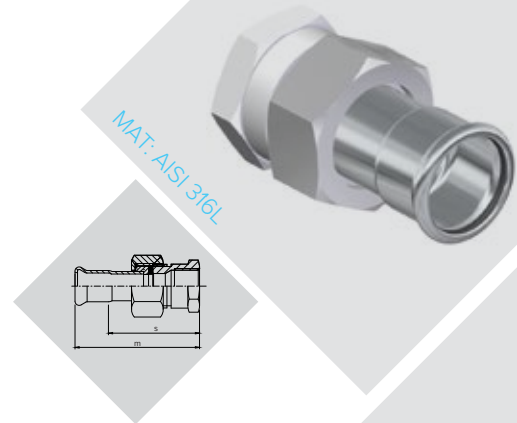


NSF

## FEMALE UNION CONNECTOR GAS

Dimensions	m	s	N° pieces/Bag
12-3/8"	67	47	20
15-1/2"	67	47	20
15-3/4"	69	49	20
18-1/2"	69	47	20
18-3/4"	71	51	20
22-1"	77	57.5	20
22-3/4"	73.5	54	20
◀ FM ▶ 28-1"	84.5	62.5	20
◀ FM ▶ 28-1 1/4"	84.5	62.5	20
◀ FM ▶ 35-1 1/4"	96	70	10
◀ FM ▶ 42-1 1/2"	104.5	74.5	4
◀ FM ▶ 54-2"	126.5	92.5	2

FIG.42

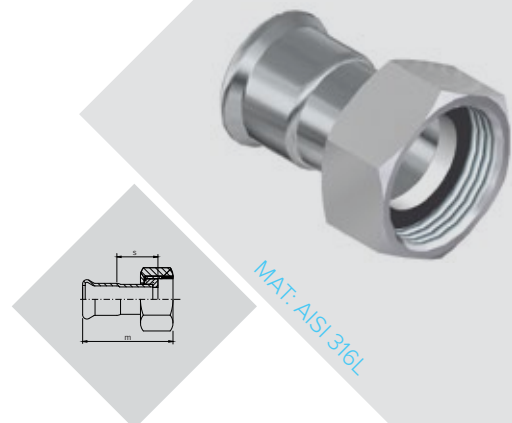


NSF

## UNION GAS FEMALE THREADED

Dimensions	m	s	N° pieces/Bag
15-1/2"	63.5	34.5	20
15-3/4"	46	19.5	20
18-1/2"	65.5	34.5	20
18-3/4"	48	21.5	20
22-3/4"	65	36.5	20
22-1"	50.5	23.5	20
28-1"	73	39.5	20
◀ FM ▶ 28-1 1/4"	58	27.5	20
◀ FM ▶ 35-1 1/4"	76	38	10
◀ FM ▶ 35-1 1/2"	66.5	32	10
◀ FM ▶ 42-1 1/2"	82.5	41	4
◀ FM ▶ 42-2"	75	35.5	4
◀ FM ▶ 54-2"	91	47	2

FIG.45

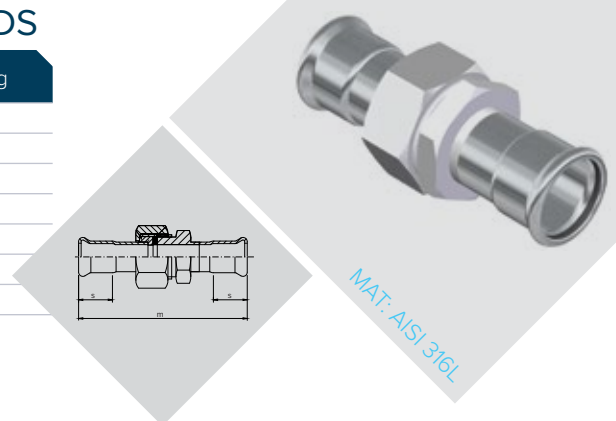


NSF

## STRAIGHT UNION WITH PRESSFITTING ON BOTH ENDS

Dimensions	m	s	N° pieces/Bag
12	95	20	20
15	95	20	20
18	99	20	20
22	104	19.4	20
◀ FM ▶ 28	117	22.2	20
◀ FM ▶ 35	135.5	26	10
◀ FM ▶ 42	152	30	4
◀ FM ▶ 54	157	35	2

FIG.46

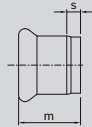


## STAINLESS STEEL TUBES AND FITTINGS

FIG.47



MAT: AISI 316L



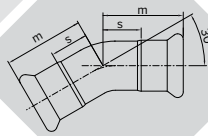
### HALF COUPLING

Dimensions	m	s	N° pieces/Bag
15	28	8	20
18	28	8	20
22	27.5	8	20
28	30.5	8	20
35	34	8	10
42	38	8	4
54	42	8	4
76.1	69.5	16	1
88.9	79.5	21.5	1
108	96.5	27.5	1

FIG.48



MAT: AISI 316L



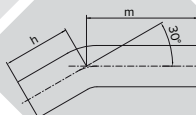
### 30° FEMALE-FEMALE ELBOW

Dimensions	m	s	N° pieces/Bag
15	31	11	20
18	32	12	20
22	34.5	15	20
28	40	17.5	10
35	46.5	20.5	10
42	56.5	26.5	4
54	58	24	2
76.1	93.5	40.5	1
88.9	97	39.5	1
108	108	39	1

FIG.49



MAT: AISI 316L



### 30° ELBOW WITH PLAIN ENDS

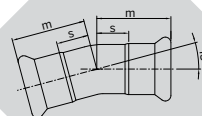
Dimensions	m	h	N° pieces/Bag
15	103	53	20
18	100	50	20
22	95	45	20
28	88.5	48.5	10
35	160.5	80.5	10
42	194.5	94.5	4
54	229	129	2
76.1	111.5	111.5	1
88.9	118.5	118.5	1
108	145	145	1



## 15° FEMALE-FEMALE ELBOW

Dimensions	m	s	N° pieces/Bag
15	28.5	9	20
18	28.5	9.5	20
22	30.7	10.5	20
28	34	12	10
35	39	13	10
42	46	16	4
54	53	19	2
76.1	78	24.5	1
88.9	81.5	24	1
108	93.5	24	1

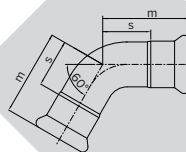
FIG.50



## 60° FEMALE-FEMALE ELBOW

Dimensions	m	s	N° pieces/Bag
15	38	18	20
18	40.5	20.5	20
22	46.5	25.5	20
28	53	31	10
35	63	37	10
42	80	50	4
54	78	44	2
76.1	129	75	1
88.9	132.5	76	1
108	141.5	72.5	1

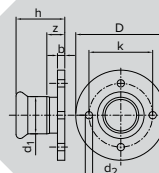
FIG.51



## FLANGES ADAPTOR PN6

Dimensions	D	k	b	d <sub>2</sub>	h	n*	z	N° pieces/Bag
15-DN 15	80	55	12	11	61	4	41	1
18-DN 15	80	55	12	11	46	4	26	1
22-DN 20	90	65	14	11	52.5	4	33	1
28-DN 25	100	75	14	11	52	4	30	1
35-DN 32	120	90	16	14	65	4	39	1
42-DN 40	130	100	16	14	77	4	47	1
54-DN 50	140	110	16	14	68	4	34	1
76.1-DN 65	160	130	16	14	114	4	60	1
88.9-DN 80	190	150	18	18	128	4	70	1
108-DN 100	210	170	18	18	158	4	89	1

FIG.52

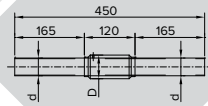


n\* = Number of tal. of Ø d<sub>2</sub>

FIG.53



MAT: AISI 316L



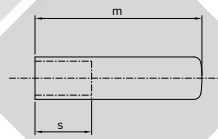
PIPE PENETRATION

Dimensions	d	D	Nº pieces/Bag
15	15	25	1
18	18	30	1
22	22	33	1
28	28	37	1
35	35	43.5	1
42	42	53	1
54	54	69	1
76.1	76.1	88.5	1
88.9	88.9	107	1
108	108	131.5	1

FIG.54



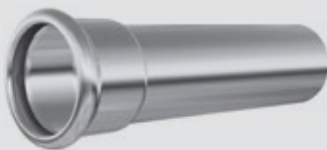
MAT: AISI 316L



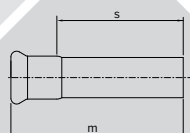
MALE PLUG

Dimensions	s	m	Nº pieces/Bag
15	20	59	20
18	21	63	20
22	21	66	20
28	24	75	10
35	27	83	10
42	32	104	4
54	39	118	4
76.1	55	172	1
88.9	64	192	1
108	78	226	1

FIG.55



MAT: AISI 316L



WELD ADAPTOR

Dimensions	m	s	Nº pieces/Bag
DN 15	130	110	20
DN 18	130	110	20
DN 22	129.5	110	20
DN 28	132.5	110	20
DN 35	136	110	10
DN 42	140	110	4
DN 54	144	110	2





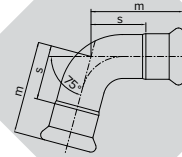
## 75° FEMALE-FEMALE ELBOW

Dimensions	m	s	N° pieces/Bag
42	94.5	64.5	4
54	90	56.5	2
76.1	150.5	96.5	1
88.9	154	97.5	1
108	162	93.5	1

FIG.56



MAT: AISI 316L



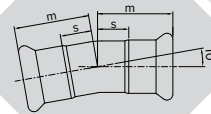
## 10° FEMALE-FEMALE ELBOW

Dimensions	m	s	N° pieces/Bag
42	43	13	4
54	46	12	2
76.1	73	19	1
88.9	76.5	20	1
108	89	20	1

FIG.57



MAT: AISI 316L



## 60° ELBOW WITH PLAIN ENDS

Dimensions	m	h	N° pieces/Bag
15	110	60	20
18	108	58	20
22	106	56	20
28	102	62	10
35	177	97	10
42	218	118	4
54	259	159	2
76.1	147	147	1
88.9	154	154	1
108	185	185	1

FIG.58



MAT: AISI 316L

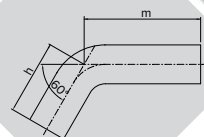


FIG.59



MAT: AISI 316L

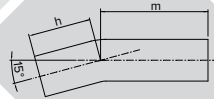


FIG.61



MAT: AISI 316L

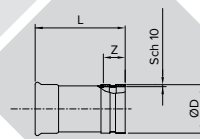
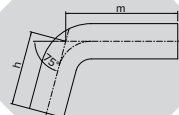


FIG.63



MAT: AISI 316L



### 15° ELBOW WITH PLAIN ENDS

Dimensions	m	h	N° pieces/Bag
15	97	47	20
18	96.5	46.5	20
22	90.5	40.5	20
28	83	43	10
35	153	73	10
42	184	84	4
54	216	116	2
76.1	96	96	1
88.9	103	103	1
108	127	127	1

### TRANSITION FOR GROOVED COUPLING

Dimensions	D	L	Z	N° pieces/Bag
DN 28 x 33.7	33.7	80	40	20
DN 35 x 42.4	42.4	88.5	40	10
DN 42 x 48.3	48.3	96	40	4
DN 54 x 60.3	60.3	107	40	4
DN 76.1 x 73	73	152	40	1
DN 76.1 x 76.1	76.1	152	40	1
DN 88.9 x 88.9	88.9	166	40	1
DN 108 x 114.3	114.3	188.5	40	1

### 75° ELBOW WITH PLAIN ENDS

Dimensions	m	h	N° pieces/Bag
15	115	65	20
18	114	64	20
22	112	62	20
28	110	70	10
35	187	107	10
42	233	133	4
54	278	178	2
76.1	168.5	168.5	1
88.9	175.5	175.5	1
108	209.5	209.5	1



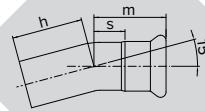
## 15° MALE-FEMALE ELBOW

Dimensions	m	h	s	N° pieces/Bag
15	28	41	8	20
18	28.5	43.5	8.5	20
22	30	44.5	10.5	20
28	34	48	11.5	10
35	39	50	13	10
42	46	56.5	16	4
54	53	65	19.5	2
76.1	78	96	24.5	1
88.9	81.5	103	24	1
108	96	127	27.5	1

FIG.64



MAT: AISI 316L



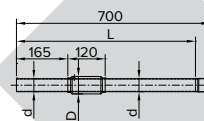
## M-F PIPE PENETRATION

Dimensions	d	D	L	O.D. x wall thickness
15	15	25	672	1
18	18	30	672	1
22	22	33	672	1
28	28	37	670	1
35	35	43.5	666	1
42	42	53	662	1
54	54	69	658	1
76.1	76.1	88.5	630	1
88.9	88.9	107	620	1
108	108	131.5	603	1

FIG.65



MAT: AISI 316L



## 30° MALE-FEMALE ELBOW

Dimensions	m	h	s	N° pieces/Bag
15	31	44	11	20
18	32	47	12	20
22	34.5	49	15	20
28	40	53.5	17.5	10
35	46.5	57.5	20.5	10
42	56.5	67	26.5	4
54	66.2	78	32.5	2
76.1	93.5	111.5	40	1
88.9	97	118.5	39.5	1
108	114	145	45	1

FIG.66



MAT: AISI 316L

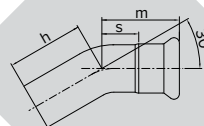
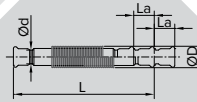


FIG.71



MAT: AISI 316L



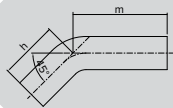
### ELONGATION COMPENSATOR

Dimensions	øD	La	L	Nº pieces/Bag
15	26	15	235	1
18	26	15	235	1
22	31	15	241	1
28	40	15	241	1
35	40	15	251	1
42	48	15	261	1
54	71	15	269	1
76.1	88	20	353	1
88.9	105	25	494	1
108	128	25	434	1

FIG.72



MAT: AISI 316L



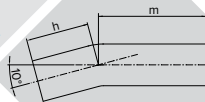
### 45° ELBOW WITH PLAIN ENDS

Dimensions	m	h	Nº pieces/Bag
15	106.5	56.5	20
18	104	54	20
22	100	50	20
28	95	55	10
35	168.5	88.5	10
42	205.5	105.5	4
54	243	143	2
76.1	128	128	1
88.9	135	135	1
108	164	164	1

FIG.73



MAT: AISI 316L



### 10° ELBOW WITH PLAIN ENDS

Dimensions	m	h	Nº pieces/Bag
15	99	49	20
18	96	46	20
22	89	39	20
28	80.7	40.7	10
35	150.7	70.7	10
42	180.7	80.7	4
54	211.5	111.5	2
76.1	91	91	1
88.9	98	98	1
108	121.5	121.5	1



## F DOUBLE ELBOW WITH WALLNUT

Dimensions	h	m	l	l <sub>1</sub>	ød	e.c.	s	s <sub>1</sub>
NW-15-Rp 1/2"	44	14	50	30	5	39	28	17

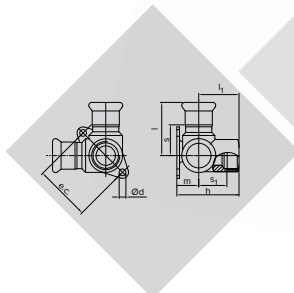


FIG.76



MAF: AISI 316L

## O-RINGS

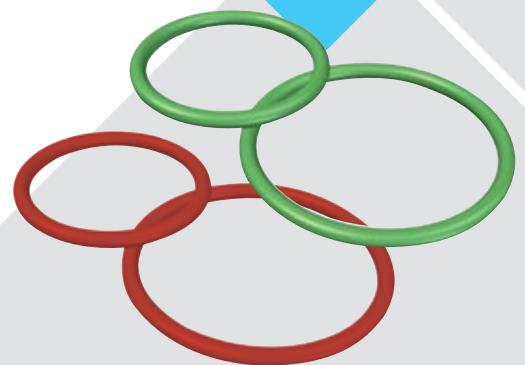
Dimensions	N° pieces/Bag
10	10
12	10
15	10
18	10
22	10
28	10
35	10
42	10
54	10
76.1	4
88.9	4
108	4
114.3	1
139.7	1
168.3	1

NOTE: Our fittings from 15 to 54mm are fitted with an EPDM LBP-function o-ring.

EPDM



FKM



NEW

HNBR





MAT: AISI 316L - AISI 304

Length 5/6 mts  
according  
to norms.

### WELDED TUBES

Dimensions	O.D. x wall thickness	O.D. x wall thickness
DN 8	10 x 1	10 x 1
DN 10	12 x 1	12 x 1
DN 12	15 x 1	15 x 0.6
DN 15	18 x 1	18 x 0.7
DN 20	22 x 1.2	22 x 0.7
DN 25	28 x 1.2	28 x 0.8
DN 32	35 x 1.5	35 x 1
DN 40	42 x 1.5	42 x 1.2
DN 50	54 x 1.5	54 x 1.2
DN 65	76.1 x 2	76.1 x 2
DN 80	88.9 x 2	88.9 x 2
DN 100	108 x 2	108 x 2
DN 100	114.3 x 2	114.3 x 2
DN 125	139.7 x 2.6	139.7 x 2
DN 150	168.3 x 2.6	168.3 x 2



## GENERAL SALES TERMS

All sales made by ISOTUBI, S.L. are according to these general sales terms.

1. All pieces need to be inquired before placing the definitive orders.
2. ISOTUBI, S.L. declines all responsibility for potential damages occurred during transportation.
3. ISOTUBI, S.L. will communicate the minimum amount needed in each order to include transportation cost in the price.
4. The delivery term showed in our order confirmation has only an indicative character.
5. The seller has the right to send a +/- 10% of the quantity ordered by the customer.
6. In case of a non-payment of an invoice at its due-date, ISOTUBI, S.L. will stop all further deliveries.
7. In case of a definitive unpayment ISOTUBI, S.L. will initiate legal actions.
8. ISOTUBI, S.L. won't accept returns of material after 15 days from delivery. In case of a return, it is compulsory to send all documents and information concerning delivery and a report of the defects. ISOTUBI, S.L. won't accept any return of material in case of a bad use of the product by the customer. We warranty our system exclusively when both tubes and fittings have been delivered by ISOTUBI, S.L.
9. ISOTUBI, S.L. won't accept any complaint caused by a negligence in the use of the pressing machines.



Offices / Warehouse 1:  
Av. Can Companyà, 15. Pol. Ind. Comte de Sert  
08755 Castellbisbal. Barcelona • Spain

Warehouse 2:  
C/ Gibraltar, 12. • Pol. Ind. Fuente del Jarro  
46988 Paterna (Valencia). Spain

Tel. + 34 93 771 16 97 • Fax. + 34 93 772 19 43  
isotubi@isotubi.com • www.isotubi.com

